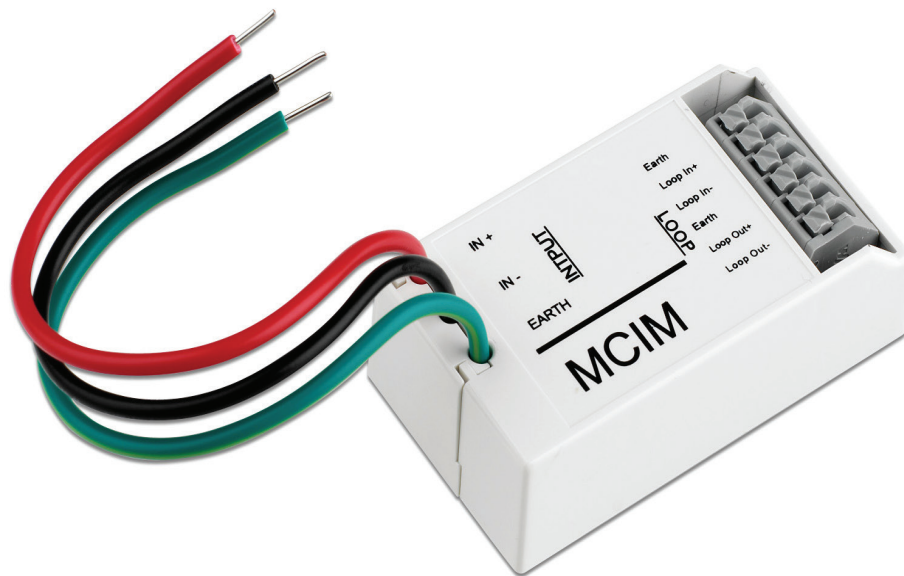


# MCIM

## Micro Single Channel Input Units



An extensive range of micro interfaces are available to support the Cooper range of control panels, providing solutions for most design requirements.

The MCIM is a single input, soft addressed micro interface, incorporating integral short circuit isolators. It is extremely compact and therefore ideal for incorporation into other equipment.

The MCIM is fully compatible with the current range of Cooper intelligent addressable fire control panels. It is suitable for monitoring a set of normally open, volt free contacts such as sprinkler system flow switches, auxiliary panel fire/fault signals as well as non fire input signals such as flow valve open contacts, generator start up, fire door closed etc.

### Features

- Soft Addressed
- Integral short circuit isolater
- Single address
- Suitable for monitoring:
  - Flow switches
  - Non fire inputs
  - Auxillary panels
- Up to 200 units per loop

### Benefits

- Quick and simple to install
- No hard addressing required (Plug and play)
- Compact size
- Programable by Cooper site installer software as technical input/non fire input

## Technical Specification

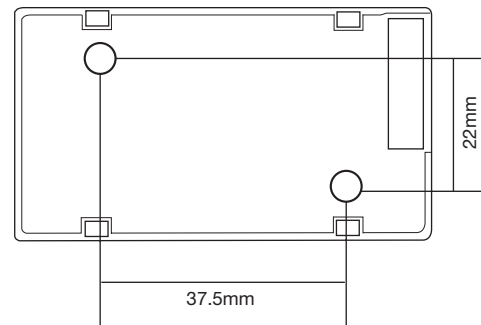
Code	MCIM
Description	Micro Single Channel Input Unit
Standards	EN54 Pt17 & Pt18
Specification	
Operating Voltage	18V dc to 30V dc
Quiescent Current	310µA
Inputs	
Trigger Resistance	5K6Ω
End of Line Resistor	22KΩ
Short Circuit Fault Threshold Resistance	1KΩ
Open Circuit Fault Threshold Resistance	33KΩ
Environmental	
Operating temperature	-10°C to +60°C
Humidity (non condensing)	0 to 95% RH
Physical	
Construction	PC/ABS
Dimensions (H x W x D)	63mm x 35mm x 18.5mm
Weight	0.078kg
Ingress protection	IP40
Compatibility	
Suitable for use with	Cooper Intelligent Addressable Fire Systems
Recommended loop/cable type	Fire Tuff, FP200, MICC type

## Installation

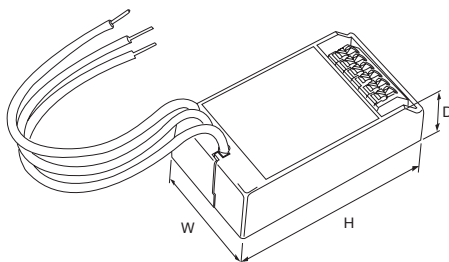
1. Inputs monitored for open and short circuit fault conditions.
2. Suitable for monitoring normally open volt free contacts (flow switches etc).
3. Connections suitable for single strand fireproof cable up to 2.5mm<sup>2</sup>.
4. Loop and input cable screen must be connected to interface earth terminals.
5. The end of line monitoring resistor, must always be fitted at the end of the input wiring, if the input is unused the end of line resistor must be fitted at the interface input terminals.

Note: No addressing of the interface is required (see control panel operation for details)

## Mounting Details

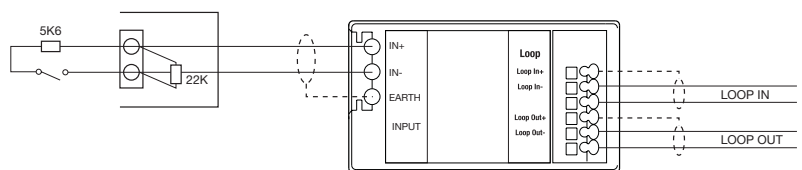


## Dimensions



H (mm)	W (mm)	D (mm)
63	35	18.5

## Standard Connections



## Catalogue numbers

Description	Code
Micro single channel Input unit	MCIM

Eaton  
Electrical Sector EMEA  
Route de la Longeraie 7  
1110 Morges, Switzerland

Eaton  
**Fire Systems Business**  
Cooper Lighting and Safety Ltd  
Wheatley Hall Road  
Doncaster  
South Yorkshire  
DN2 4NB  
United Kingdom  
Tel: +44 (0)1302 303 999  
Fax: +44 (0)1302 303 333  
Email: sales@cooperfire.com  
Web: www.cooperfire.com

© 2014 Eaton  
All Rights Reserved  
Pub Reference: FDS025  
September 2014

Changes to the products, to the information contained in this document, and to prices are reserved; so are errors and omissions. Only order confirmations and technical documentation by Eaton is binding. Photos and pictures also do not warrant a specific layout or functionality. Their use in whatever form is subject to prior approval by Eaton. The same applies to Trademarks. The Terms and Conditions of Eaton apply, as referenced on Eaton Internet pages and Eaton order confirmations.

Eaton is a registered trademark. All other trademarks are property of their respective owners.